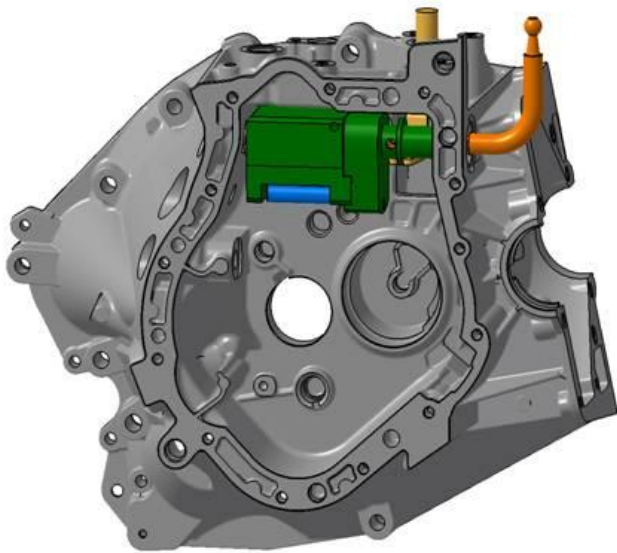
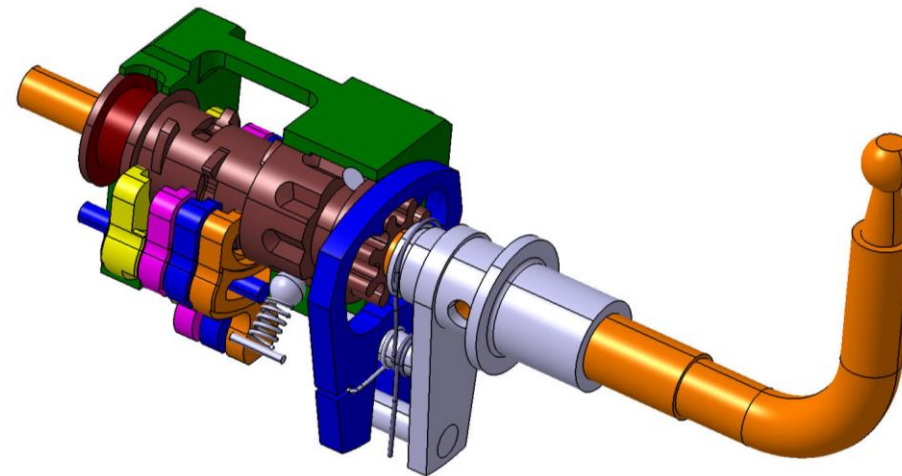


- Development of an adaptation kit for sequential gearbox.
- This project resulted in a European patent filing.



© SOKARIS Ingenierie – All rights reserved



© SOKARIS Ingenierie –All rights reserved